

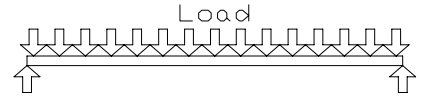
Data Sheets For 41 x 41 x 2.5mm Plain Channel



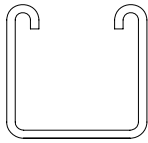
Pages 2-3: Pre-Galvanised

Page 4: Hot Dip Galvanised

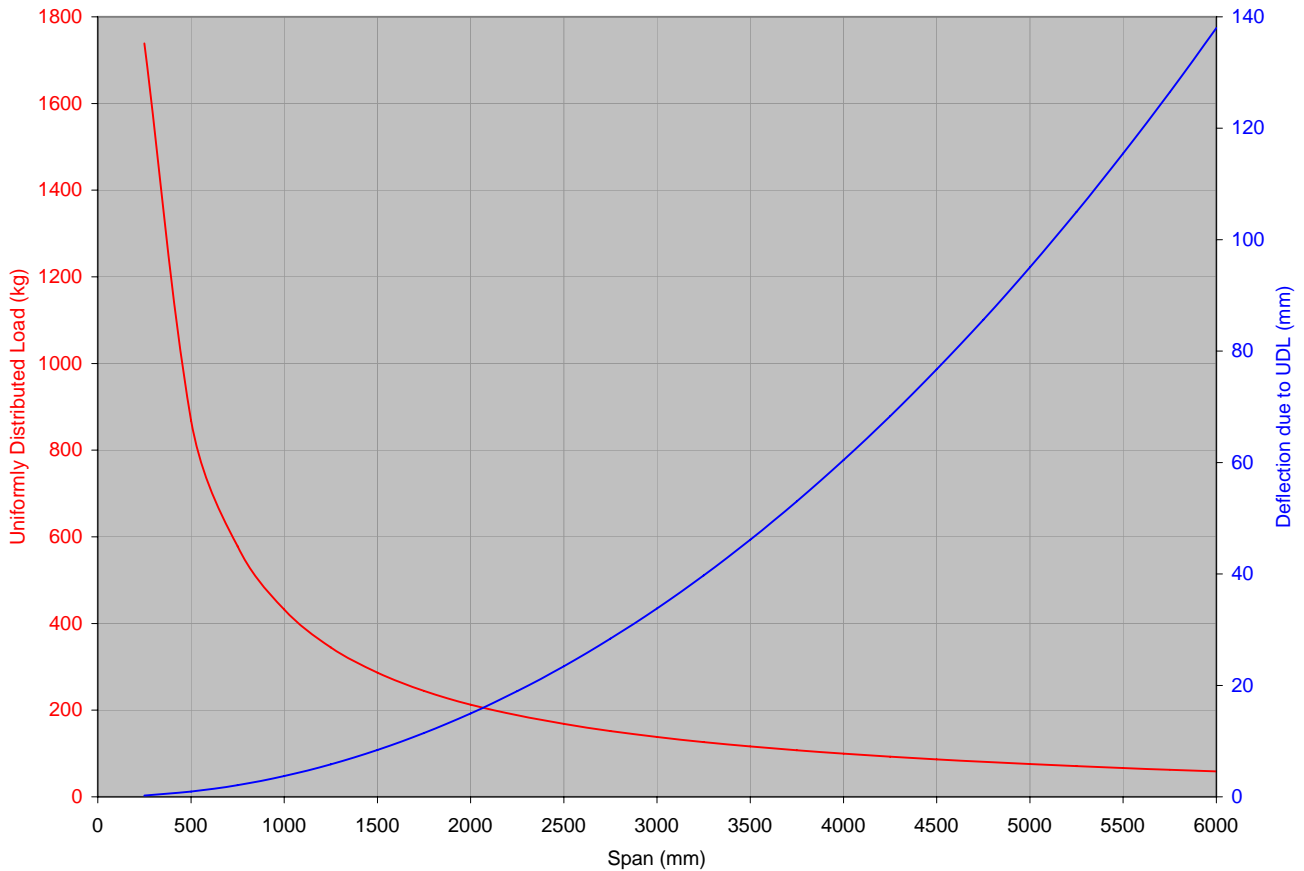
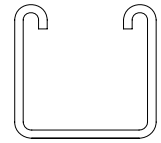




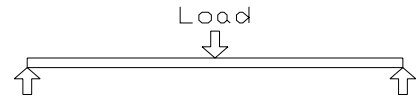
T3779 Plain 41x41x2.5 thk. (Mass 2.60kg/m)



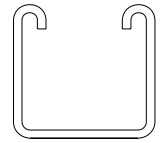
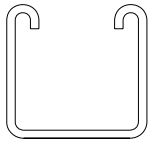
Beam Span (mm)	Ultimate Loading		Limit Def. Span/200		Limit Def. Span/360	
	Total Applied Load (kg)	Total Def. (mm)	Applied UDL (kg)	Total Def. (mm)	Applied UDL (kg)	Total Def. (mm)
250	1738.7	0.2				
500	868.5	0.9				
750	578.0	2.1			573.3	2.1
1000	432.5	3.7			321.0	2.8
1250	345.0	5.8			203.8	3.5
1500	286.5	8.4	255.0	7.5	139.9	4.2
1750	244.5	11.5	185.6	8.8	101.1	4.9
2000	212.9	15.0	140.4	10.0	75.7	5.6
2250	188.1	19.0	109.2	11.3	58.1	6.3
2500	168.2	23.4	86.7	12.5	45.3	6.9
2750	151.8	28.4	69.9	13.8	35.6	7.6
3000	138.1	33.8	56.9	15.0	28.1	8.3
3250	126.4	39.7	46.7	16.3	22.2	9.0
3500	116.3	46.1	38.4	17.5	17.3	9.7
3750	107.4	53.0	31.7	18.8	13.2	10.4
4000	99.6	60.4	26.0	20.0	9.8	11.1
4250	92.6	68.3	21.2	21.3	6.8	11.8
4500	86.4	76.7	17.0	22.5	4.3	12.5
4750	80.7	85.6	13.4	23.8	2.0	13.2
5000	75.6	95.1	10.3	25.0		
5250	70.9	105.0	7.5	26.3		
5500	66.5	115.5	4.9	27.5		
5750	62.5	126.5	2.6	28.8		
6000	58.8	138.0	0.6	30.0		



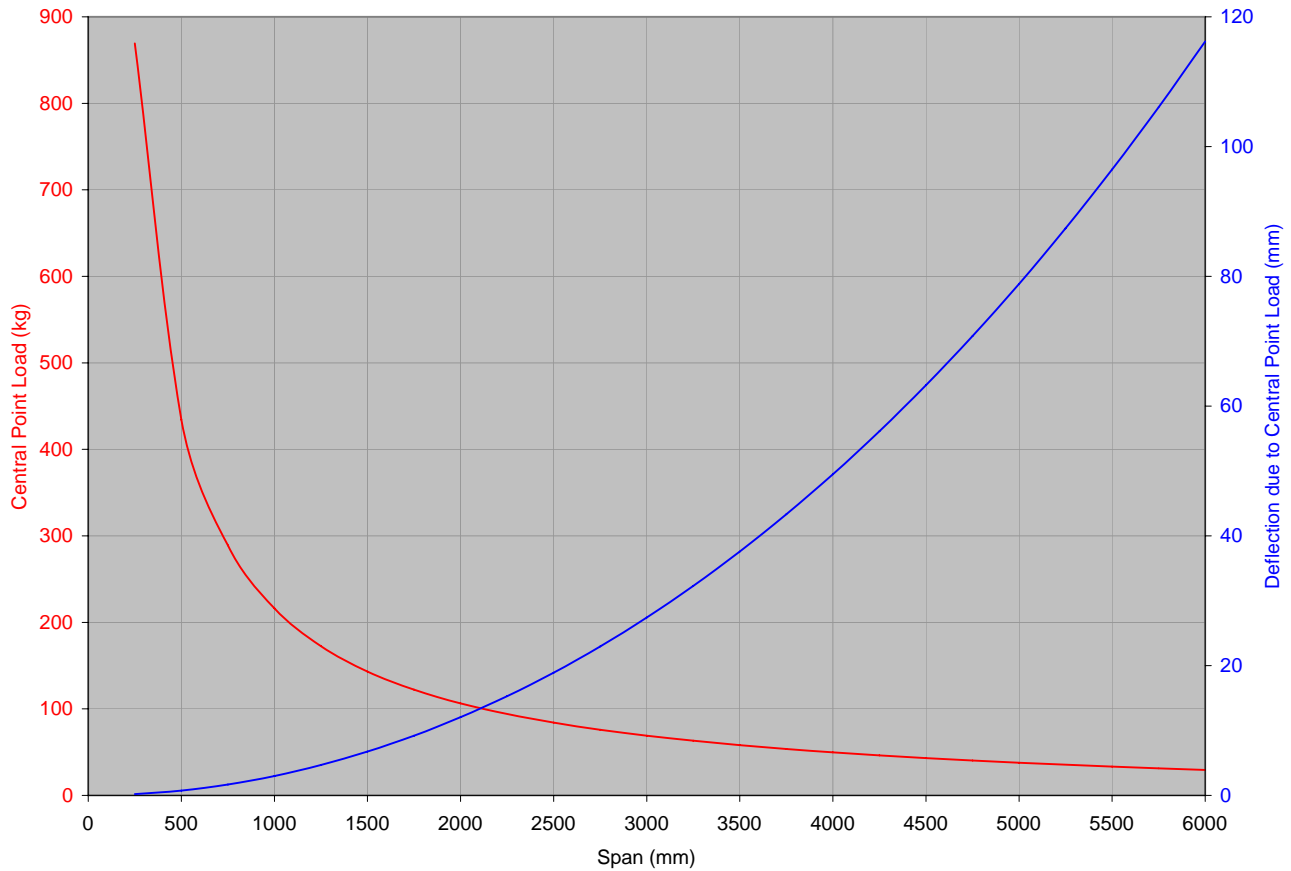
Load, Span & Deflection Graph



T3779 Plain 41x41x2.5 thk. (Mass 2.60kg/m)



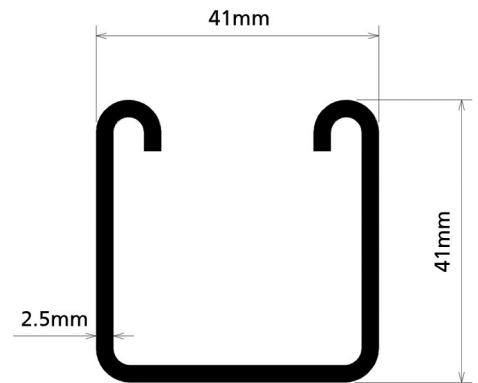
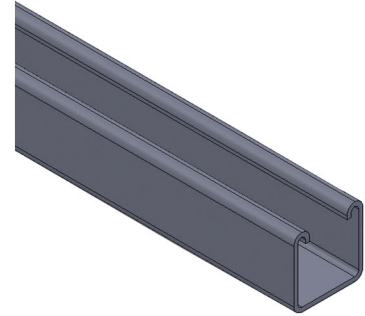
Beam Span (mm)	Ultimate Loading		Limit Def. Span/200		Limit Def. Span/360	
	Central Pt Load (kg)	Total Def. (mm)	Central Pt Load (kg)	Total Def. (mm)	Central Pt Load (kg)	Total Def. (mm)
250	869.3	0.2				
500	434.2	0.7				
750	289.0	1.7				
1000	216.3	3.0			200.6	2.8
1250	172.5	4.7			127.4	3.5
1500	143.2	6.8			87.4	4.2
1750	122.2	9.2	116.0	8.8	63.2	4.9
2000	106.4	12.1	87.8	10.0	47.3	5.6
2250	94.1	15.3	68.2	11.3	36.3	6.3
2500	84.1	18.9	54.2	12.5	28.3	6.9
2750	75.9	23.0	43.7	13.8	22.3	7.6
3000	69.1	27.4	35.6	15.0	17.6	8.3
3250	63.2	32.3	29.2	16.3	13.9	9.0
3500	58.1	37.6	24.0	17.5	10.8	9.7
3750	53.7	43.3	19.8	18.8	8.3	10.4
4000	49.8	49.5	16.2	20.0	6.1	11.1
4250	46.3	56.1	13.2	21.3	4.3	11.8
4500	43.2	63.2	10.7	22.5	2.7	12.5
4750	40.4	70.8	8.4	23.8	1.2	13.2
5000	37.8	78.8	6.4	25.0		
5250	35.4	87.4	4.7	26.3		
5500	33.3	96.5	3.1	27.5		
5750	31.3	106.1	1.7	28.8		
6000	29.4	116.2	0.3	30.0		



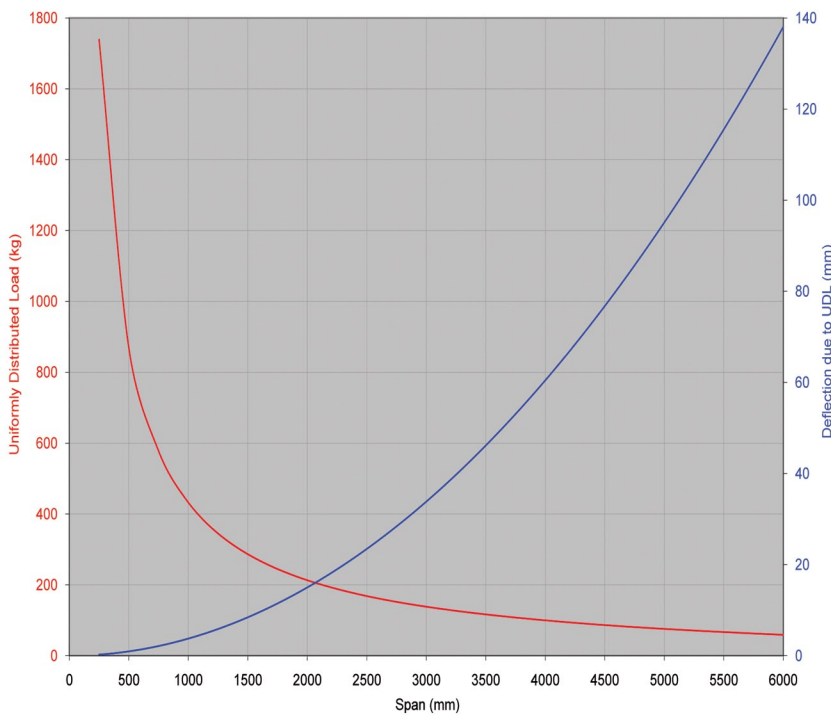
Load, Span & Deflection Graph

T3779 Plain 41x41x2.5 thk. (Mass 2.60kg/m)

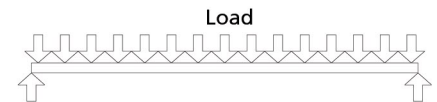
Beam Span (mm)	Ultimate Loading		Limit Def. Span/200		Limit Def. Span/360	
	Total Applied Load (kg)	Total Def. (mm)	Applied UDL (mm)	Total Def. (mm)	Applied UDL (mm)	Total Def. (mm)
250	1738.7	0.2				
500	868.5	0.9				
750	578.0	2.1			573.3	2.1
1000	432.5	3.7			321.0	2.8
1250	345.0	5.8			203.8	3.5
1500	286.5	8.4	255.0	7.5	139.9	4.2
1750	244.5	11.5	185.6	8.8	101.1	4.9
2000	212.9	15.0	140.4	10.0	75.7	5.6
2250	188.1	19.0	109.2	11.3	58.1	6.3
2500	168.2	23.4	86.7	12.5	45.3	6.9
2750	151.8	28.4	69.9	13.8	35.6	7.6
3000	138.1	33.8	56.9	15.0	28.1	8.3
3250	126.4	39.7	46.7	16.3	22.2	9.0
3500	116.3	46.1	38.4	17.5	17.3	9.7
3750	107.4	53.0	31.7	18.8	13.2	10.4
4000	99.6	60.4	26.0	20.0	9.8	11.1
4250	92.6	68.3	21.2	21.3	6.8	11.8
4500	86.4	76.7	17.0	22.5	4.3	12.5
4750	80.7	85.6	13.4	23.8	2.0	13.2
5000	75.6	95.1	10.3	25.0		
5250	70.9	105.0	7.5	26.3		
5500	66.5	115.5	4.9	27.5		
5750	62.5	126.5	2.6	28.8		
6000	58.8	138.0	0.6	30.0		



Load, Span & Deflection Graph



Loading Conditions:



TECHNICAL SPECIFICATION

Performance
Complies with BS EN6946:1988