

Product Data sheet

Item: SQUARE PLATE WASHERS - 5mm

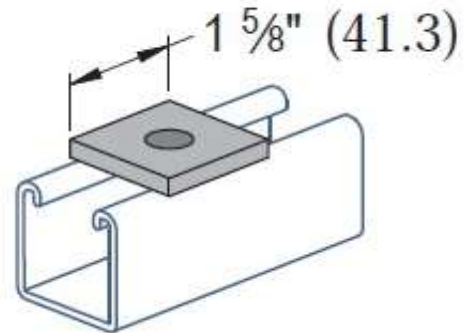


Material Specification:

Material: Mild Steel min. 130 HB, Stainless steel A4

Finish: Zinc Plated to DIN EN ISO 4042, hot dip galvanised, other surfaces on request

Thickness: 5 mm,



CODE	REF CODE	M
RSF 01/M6	P1063/06	M6
RSF 01/M8	P1063/08	M8
RSF 01/M10	P1063/10	M10
RSF 01/M12	P1063/12	M12

SIZE						
	box qty in pcs	wt/box kgs	cartoons qty	master cartoon wt/kgs	pallets qty	pallets wt/ kgs
M6 x 5mm	100	4.700 Kgs	400	18.800 Kgs	24000 pcs	1128.00 kgs
M8 X 5mm	100	4.680 Kgs	400	18.720 Kgs	24000 pcs	1125.00 kgs
M10 X 5mm	100	4.650 Kgs	400	18.600 Kgs	24000 pcs	1116.00 kgs
M12 X 5mm	100	4.600 Kgs	400	18.400 Kgs	24000 pcs	1104.00 kgs