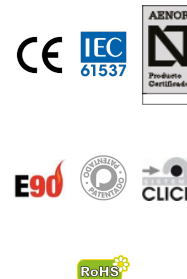
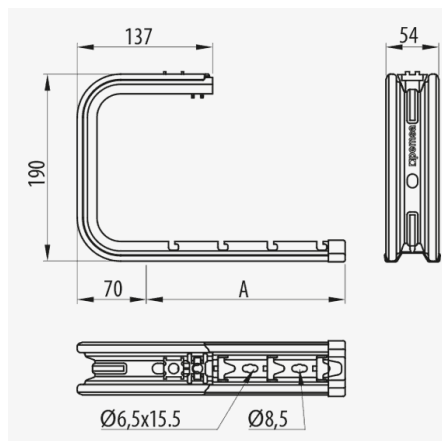


**Omega SPLUS Ceiling Bracket**



**Description**

Support with omega profile and universal connection system for Rejiband® and Pemsaband® trays mounted to the ceiling. Click fixing system. Made of steel and available for widths of 100, 150, 200, 300 and 400 mm and in various finishes.

**Advantages**

Click system allows fast connection of the wire mesh tray without the need of fixings. Greater economy and quick assembly.

Universal mounting system compatible with Rejiband® grid trays, Pemsaband® sheet and PVC trays. A single support for all trays. Reduction in the number of references.

C shape, which allows the introduction of the cables from the side. Includes plugs and protectors to improve installation and protect the installer.

N Mark of Aenor, in accordance with IEC 61537 and CE conformity to Directive 2014/35 / EU. Fire resistance E90 according to DIN 4102-12.

Available in several finishes: pre galvanised, hot dip galvanised, organic mineral BLACK C8 and stainless steel AISI 304 and AISI 316L.

**Applications**

Suitable for supporting medium loads of cable trays to the ceiling for electrical installations and / or of telecommunications in: Civil works, tunnels, car parks, public buildings, commercial centres, large infrastructures such as: Airports, underground, rail, tertiary sector, industrial naval, petrochemical, textile, chemical and food applications, according to the finish.

**Solutions**



INDUSTRIA ALIMENTARIA FOTOVOLTAICA CENTROS DE DATOS EDIFICACIÓN. TERCIARIO RESISTENCIA AL FUEGO



[www.pemsa-rejiband.com](http://www.pemsa-rejiband.com)



Any information included in this document is property of Pemsa®. It cannot be copied, total or partially, nor disclosed to third parties nor used without the explicit and written authorization by Pemsa®. These documents total or partially, can be subject to patent and/or be patent pending and therefore protected by intellectual and industrial property rights. Pemsa, Rejiband, Pemsaband, Inducanal, Rejitech, Megaband, Pemsaflex are registered trademarks property of "Pemsa Cable Management, S.A."

**Omega SPLUS Ceiling Bracket**

**Main technical characteristics**

P.G., H.D.G., AISI 304, AISI 316L, C8 | 
 190 | 
 100, 150, 200, 300, 400 | 
 4 u | 
 -50°/ 150° | 
 ETIM EC001003

**Product data**

			Ref	kg/u			
P.G.	Class 2	100	62022104	0,391	Steel with surface coating	33	E90 (90 min. 1000°C)
P.G.	Class 2	150	62022154	0,557	Steel with surface coating	36	E90 (90 min. 1000°C)
P.G.	Class 2	200	62022204	0,642	Steel with surface coating	29	E90 (90 min. 1000°C)
P.G.	Class 2	300	62022304	0,763	Steel with surface coating	25	E90 (90 min. 1000°C)
P.G.	Class 2	400	62022404	0,887	Steel with surface coating	18	E90 (90 min. 1000°C)
H.D.G.	Class 6	100	62032104	0,404	Steel with surface coating	33	E90 (90 min. 1000°C)
H.D.G.	Class 6	150	62032154	0,571	Steel with surface coating	36	E90 (90 min. 1000°C)
H.D.G.	Class 6	200	62032204	0,658	Steel with surface coating	29	E90 (90 min. 1000°C)
H.D.G.	Class 6	300	62032304	0,782	Steel with surface coating	25	E90 (90 min. 1000°C)
H.D.G.	Class 6	400	62032404	0,906	Steel with surface coating	18	E90 (90 min. 1000°C)
AISI 304	Class 9C	100	62052104	0,410	Stainless Steel AISI 304	33	A1 No combustible
AISI 304	Class 9C	150	62052154	0,434	Stainless Steel AISI 304	36	A1 No combustible
AISI 304	Class 9C	200	62052204	0,651	Stainless Steel AISI 304	29	A1 No combustible
AISI 304	Class 9C	300	62052304	0,767	Stainless Steel AISI 304	25	A1 No combustible
AISI 304	Class 9C	400	62052404	0,882	Stainless Steel AISI 304	18	A1 No combustible
AISI 316L	Class 9D	100	62062104	0,410	Stainless Steel AISI 316L	33	A1 No combustible
AISI 316L	Class 9D	150	62062154	0,434	Stainless Steel AISI 316L	36	A1 No combustible
AISI 316L	Class 9D	200	62062204	0,651	Stainless Steel AISI 316L	29	A1 No combustible
AISI 316L	Class 9D	300	62062304	0,767	Stainless Steel AISI 316L	25	A1 No combustible
AISI 316L	Class 9D	400	62062404	0,882	Stainless Steel AISI 316L	18	A1 No combustible
C8	Class 8	100	62082104	0,412	Steel with surface coating	33	E90 (90 min. 1000°C)
C8	Class 8	150	62082154	0,437	Steel with surface coating	36	E90 (90 min. 1000°C)
C8	Class 8	200	62082204	0,656	Steel with surface coating	29	E90 (90 min. 1000°C)
C8	Class 8	300	62082304	0,772	Steel with surface coating	25	E90 (90 min. 1000°C)
C8	Class 8	400	62082404	0,889	Steel with surface coating	18	E90 (90 min. 1000°C)

**Coatings**

- EZ** - Electrogalvanized, white, according to EN ISO 2081. Class 3 protection in compliance with product standard EN 61537. Electrolytic zinc protection adequate for indoor installations.
- BC** - Electrogalvanized Bycro, yellow, in compliance with EN ISO 2081. Class 4 protection in compliance with product standard EN 61537. Improved resistance to corrosion, especially adequate for demanding indoor installations.
- GC** - Hot-dipped galvanizing in compliance with EN ISO 1461. Class 6 protection in compliance with product standard EN 61537. Appropriate for outdoor installations and aggressive environments.
- BLACK C8** - High Resistance coating, Black Colour. Class 8 of protection in compliance with product standard EN 61537. Neutral Salt Spray Chamber test >1000 h acc. to ISO 9227.
- 304 and 316L** stainless steel, in compliance with EN 10088 standard, with passivated Thermicon treatment. Class 9 protection. Appropriate for outdoor installations and highly aggressive environments.



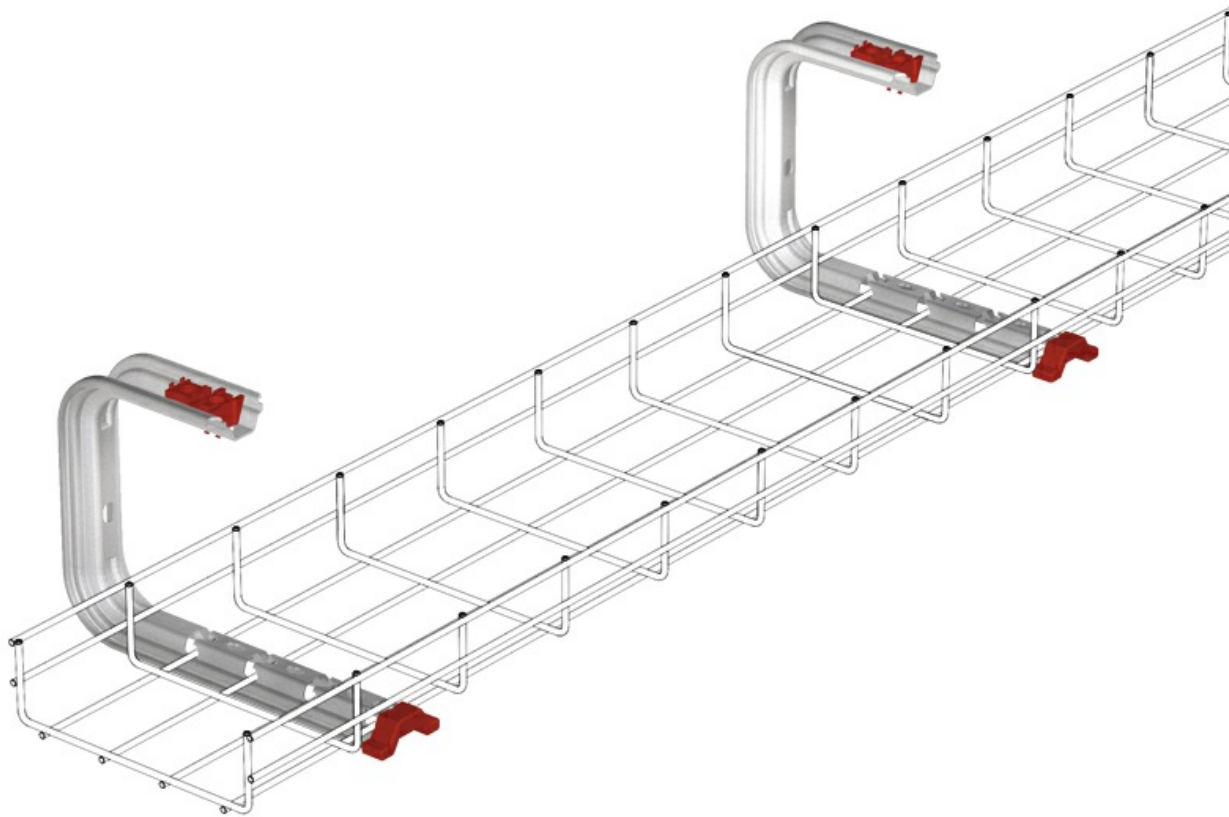
www.pemsa-rejiband.com



Any information included in this document is property of Pemsa®. It cannot be copied, total or partially, nor disclosed to third parties nor used without the explicit and written authorization by Pemsa®. These documents total or partially, can be subject to patent and/or be patent pending and therefore protected by intellectual and industrial property rights. Pemsa, Rejiband, Pemsaband, Inducanal, Rejitech, Megaband, Pemsaflex are registered trademarks property of "Pemsa Cable Management, S.A."

**Omega SPLUS Ceiling Bracket**

Product applications



**Omega SPLUS Ceiling Bracket**

