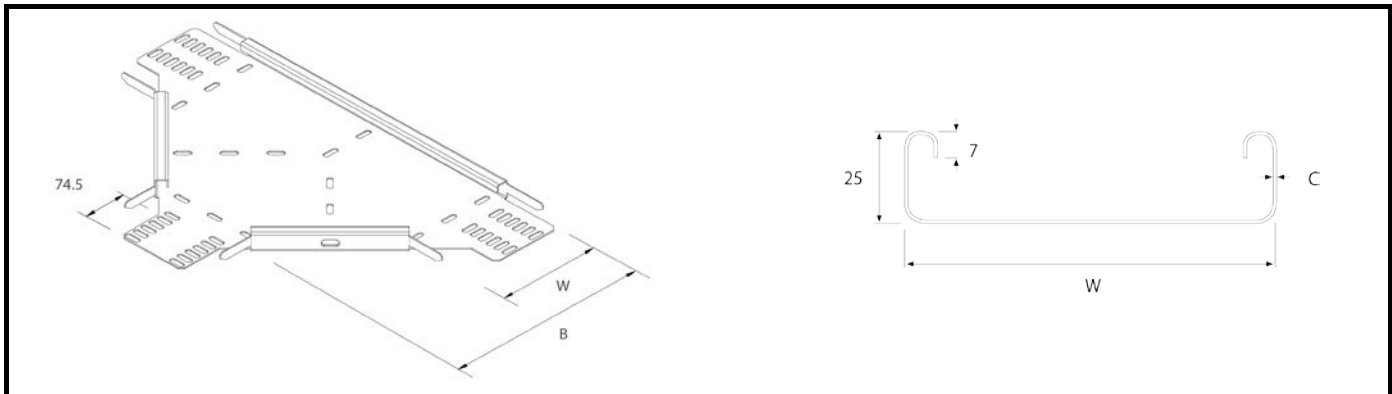


Product Data Sheet

Medium Duty Equal Tee



Part No.	Finish			W mm	B mm	mm	kg
	PG	HG	SS				
TUMT050	•	•	•	50	172	0.8	0.41
TUMT075	•	•	•	75	197	0.8	0.51
TUMT100	•	•	•	100	222	0.8	0.63
TUMT150	•	•	•	150	272	0.8	0.92
TUMT225	•	•	•	225	347	0.8	1.38
TUMT300	•	•	•	300	422	1.2	2.02
TUMT450	•	•	•	450	572	1.2	3.35
TUMT600	•	•	•	600	722	1.2	4.93
TUMT750	•	•	•	750	872	2.0	12.20
TUMT900	•	•	•	900	1022	2.0	18.65

Assembly:

One piece assembly

Material:

- PG Pre-Galvanised Steel to BS EN 10346 1.0244 + Z275-N-A-C
- HG Mild steel - BS EN 10149-3 grade S280 - min. yield 280 n/mm² - UTS 370 n/mm²
- DH BS EN 10025 S275JO+AR+CL1 or equivalent/better.
- SS Stainless Steel - Hot Rolled to B.S.EN10088-2-1.4404+1D

Finishes:

- PG Pre Galvanised to BS EN 10346 Z275 standard.
- HG Hot Dip Galvanized - to BS EN ISO 1461: to a mean coating thickness (minimum) of 55 µm.
- DH Hot Dip Galvanized - to BS EN ISO 1461: to a mean coating thickness (minimum) of 85 µm.
110 µm available upon request
- SS Stainless Steel - Grade 1.4404 (316L)