



Tel: 01675 463670 Fax: 01675 463520 Email: sales@partex.co.uk

Product Technical Data Sheet - Crimp Terminals

Description:

A complete range of pre-insulated and un-insulated crimp terminals, that combine high quality with competitive pricing.

High grade PVC insulation makes crimping easy, whilst ensuring complete integrity of termination.

Available in packs of 100 as standard.

Red insulation:	Conductor size 0.5-1.5mm ² / 22-16 awg
Blue insulation:	Conductor size 1.5-2.5mm ² / 16-14 awg
Yellow insulation:	Conductor size 4.0-6.0mm ² / 12-10 awg

Specification,

Standard Terminals:

Maximum Voltage:	600 Volt
UL Approval numbers:	E482299/E482300
Terminal Material:	C1100 Copper
Insulation Material:	PVC
Maximum Temperature:	+ 75° C

Tabs and Receptacles: (marked with *)

Maximum Voltage:	300 Volt
UL Approval numbers:	E482299/E482300
Terminal Material:	C2680 Brass
Insulation Material:	PVC
Maximum Temperature:	+ 75° C

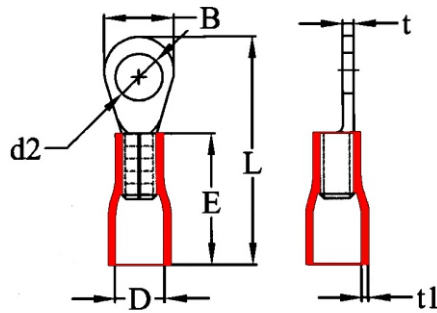
VR indicates 'Vibration Resistant' - Extra copper ring within the crimp terminal.



Issue 4
April 2016

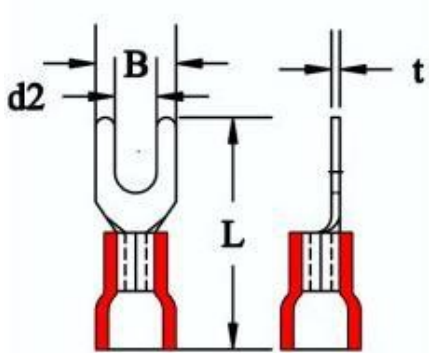


Ring Terminals



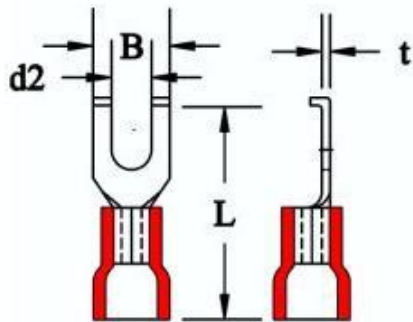
Cat No	Dimensions (mm)							Insulation Colour
	d2	B	L	D	E	t	t1	
RR32	3.20	5.50	17.50	4.30	10.50	0.75	0.80	RED
RR37	3.70	5.50	17.50					
RR43	4.30	8.00	21.70					
RR53	5.30	8.00	21.70					
RR64	6.40	11.60	27.60					
RR84	8.40	11.60	27.60					
RR105	10.50	13.70	31.50					
BR32	3.20	8.50	23.00	4.70	11.00	0.80	0.80	BLUE
BR37	3.70	6.60	20.60					
BR43	4.30	8.50	23.00					
BR53	5.30	9.50	23.00					
BR64	6.40	12.00	28.10					
BR84	8.40	12.00	28.10					
BR105	10.50	13.70	31.90					
BR120	13.00	19.00	35.50					
YR43	4.30	9.50	26.70	6.70	14.00	1.00	0.80	YELLOW
YR53	5.30	9.50	26.70					
YR64	6.40	12.00	32.70					
YR84	8.40	15.00	34.90					
YR105	10.50	15.00	34.90					
YR120	13.00	19.20	39.60					

Spade (Fork) Terminals



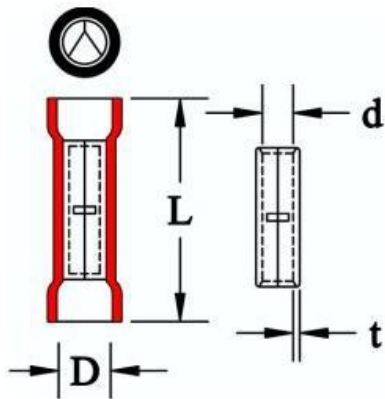
Cat No	Dimensions (mm)				Insulation Colour
	d2	B	L	t	
RS32N	3.20	5.70	22.00	0.75	RED
RS37	3.70	6.20	22.00		
RS37N	3.70	5.70	22.00		
RS43	4.30	7.20	22.00		
RS43N	4.30	6.40	22.00		
RS53	5.30	8.00	22.00		
RS64	6.40	10.70	23.00		
BS32N	3.20	5.70	22.50	0.80	BLUE
BS37	3.70	6.20	22.50		
BS37N	3.70	5.70	22.50		
BS43	4.30	7.20	22.50		
BS43N	4.30	6.40	22.50		
BS53	5.30	8.00	22.50		
BS64	6.40	10.70	23.50		
YS37	3.70	8.10	26.70	1.00	YELLOW
YS43	4.30	8.20	26.70		
YS53	5.30	9.00	26.70		
YS64	6.40	12.00	30.70		
YS84	8.40	13.50	32.60		

Flanged Spade (Fork) Terminals



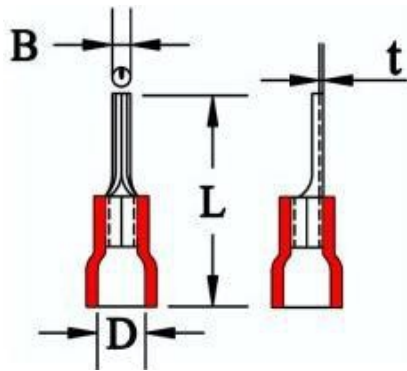
Cat No	Dimensions (mm)				Insulation Colour
	$d2$	B	L	t	
RFS43	4.30	7.20	22.00	0.75	RED
BFS43	4.30	7.20	22.50	0.80	BLUE
BFS53	5.30	8.00	22.50	0.80	BLUE

Butt Connectors



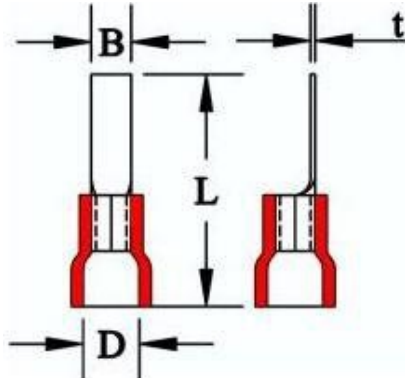
Cat No	Dimensions (mm)				Insulation Colour
	d	D	L	t	
RBC4	1.70	4.30	25.00	0.75	RED
BBC45	2.30	4.50	25.00	0.80	BLUE
YBC68	3.40	6.50	27.00	1.00	YELLOW

Pin Terminals



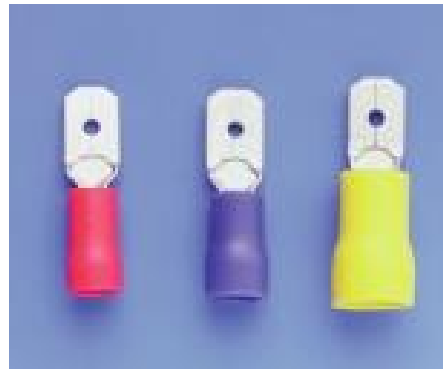
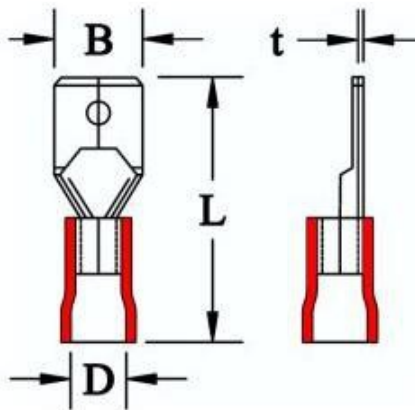
Cat No	Dimensions (mm)				Insulation Colour
	D	B	L	t	
RP10	4.30	2.00	22.50	0.75	RED
BP10	4.70	2.00	23.00	0.80	BLUE
YP14	6.70	2.70	27.50	1.00	YELLOW

Blade Terminals



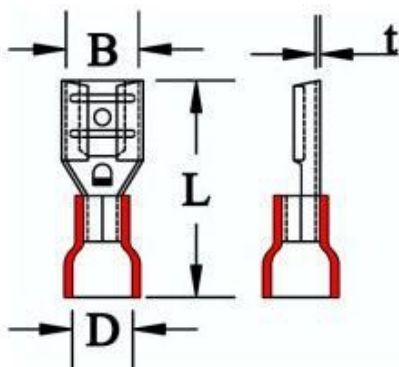
Cat No	Dimensions (mm)				Insulation Colour
	B	D	L	t	
RB11	3.00	4.30	21.50	0.75	RED
RB14	3.00	4.30	25.00		
RB18	2.45	4.30	28.50		
BB9	2.80	4.70	20.00	0.80	BLUE
BB18	2.45	4.70	29.00		
YB10	2.80	6.70	24.00	1.00	YELLOW
YB18	2.80	6.70	32.00		

Male Tabs

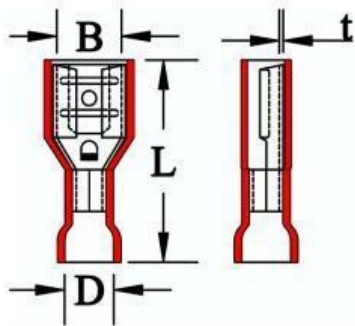


Cat No	Dimensions (mm)						Insulation Colour
	Tab Height	Tab Width	D	B	L	t	
RM50/VR	4.80	0.80	4.10	4.80	22.00	0.40	RED
RM63/VR	6.40	0.80	4.10	6.40	22.00		
BM50/VR	4.80	0.80	4.90	4.80	22.50		BLUE
BM63/VR	6.40	0.80	4.90	6.40	22.50		
YM63/VR	6.40	0.80	6.50	6.40	24.50		YELLOW

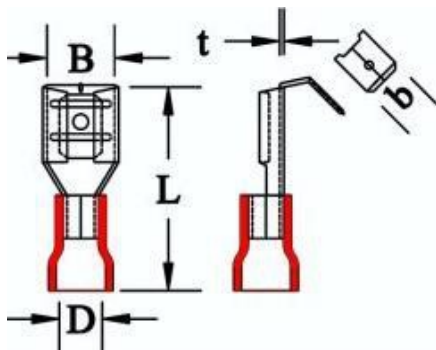
Female Push-On *



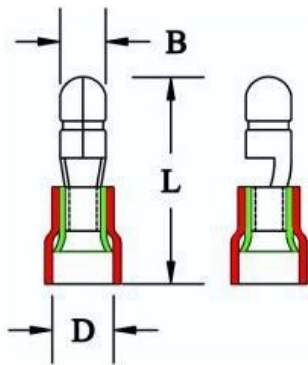
Cat No	Dimensions (mm)						Insulation Colour
	Tab Height	Tab Width	D	B	L	t	
RF32/05/VR	2.80	0.50	4.10	3.20	19.00	0.25	RED
RF32/08/VR	2.80	0.80	4.10	3.20	19.00		
RF50/05/VR	4.80	0.50	4.10	5.00	19.50	0.40	
RF50/08/VR	4.80	0.80	4.10	5.00	19.50		
RF66/08/VR	6.40	0.80	4.10	6.70	21.50		
BF50/05/VR	4.80	0.50	4.90	5.00	20.00		BLUE
BF50/08/VR	4.80	0.80	4.90	5.00	20.00		
BF66/08/VR	6.40	0.80	4.90	6.70	22.00		YELLOW
BF80/08/VR	8.20	0.80	4.90	8.50	24.50		
YF66/08/VR	6.40	0.80	6.50	6.70	25.00	0.50	
YF100/08/VR	9.40	1.20	6.50	9.90	30.10		

Fully Insulated Female Push-On *

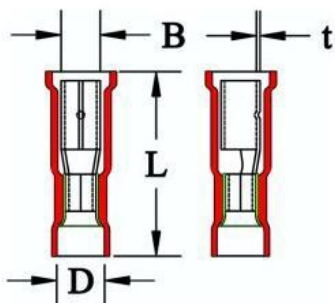
Cat No	Dimensions (mm)						Insulation Colour
	Tab Height	Tab Width	D	B	L	t	
RF32/FI/VR	2.80	0.80	4.10	3.20	20.50	0.25	RED
RF50/FI/VR	4.80	0.80	4.10	5.00	20.50	0.40	
RF66/FI/VR	6.40	0.80	4.10	6.70	22.00		
BF50/FI/VR	4.80	0.80	4.90	5.00	21.50		BLUE
BF66/FI/VR	6.40	0.80	4.90	6.70	22.50		
YF66/FI/VR	6.40	0.80	6.70	6.70	25.00	YELLOW	

Piggy Backs *

Cat No	Dimensions (mm)						Insulation Colour
	Tab Height	Tab Width	D	B	L	t	
RPB63/VR	6.40	0.80	4.10	6.70	22.50	0.40	RED
BPB63/VR	6.40	0.80	4.90	6.70	23.00		BLUE

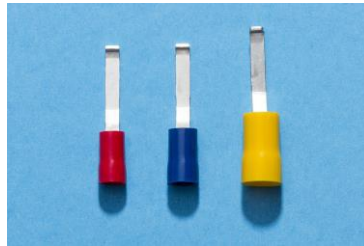
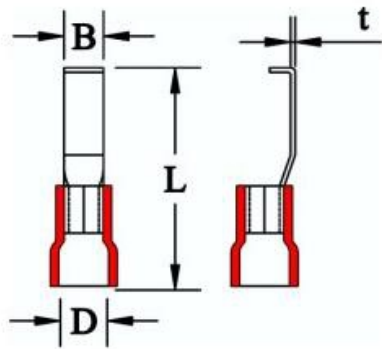
Male Bullet *

Cat No	Dimensions (mm)				Insulation Colour
	D	B	L	t	
RMB40/VR	4.10	4.00	21.50	0.40	RED
BMB50/VR	4.90	5.00	22.50		BLUE
YMB50/VR	6.50	5.00	26.00		YELLOW

Female Bullet *

Cat No	Dimensions (mm)				Insulation Colour
	D	B	L	t	
RFB40/VR	4.30	4.65	24.50	0.40	RED
BFB50/VR	4.90	5.65	24.50		BLUE
YFB50/VR	6.50	5.65	28.00		YELLOW

Hook Blade Terminals



Cat No	Dimensions (mm)				Insulation Colour
	B	D	L	t	
RHBL3.0	2.80	4.30	28.50	0.80	RED
RHBL4.6	4.60	4.30	28.50		
BHBL3.0	2.80	4.70	28.80	0.80	BLUE
BHBL4.6	4.60	4.70	28.80		
YHBL3.0	2.80	6.70	31.8	1.00	YELLOW

Partex also offer an extensive range of compatible crimping tools.

Partex Marking Systems (UK) LTD

61-64 Station Road, Coleshill, Birmingham B46 1JT

Tel: 01675 463670 Fax: 01675 463520 Email: sales@partex.co.uk