

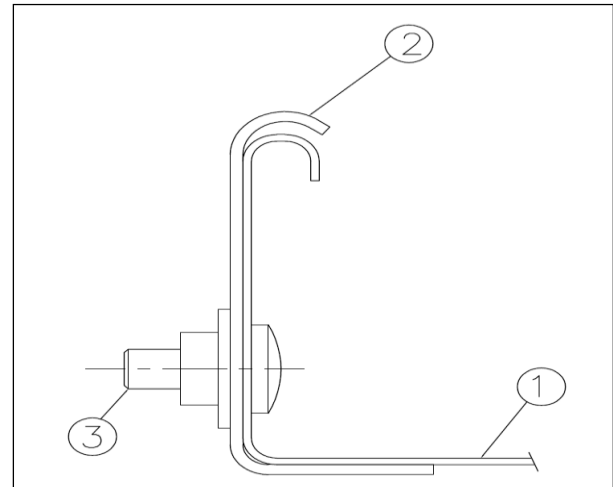
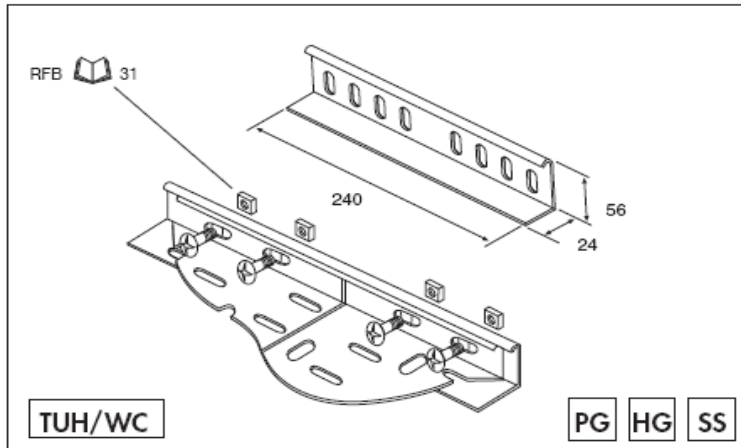
Product Data Sheet

ref: TUH/WC** date: AUG 12

UNISTRUT®

A PART OF **atkore**
INTERNATIONAL

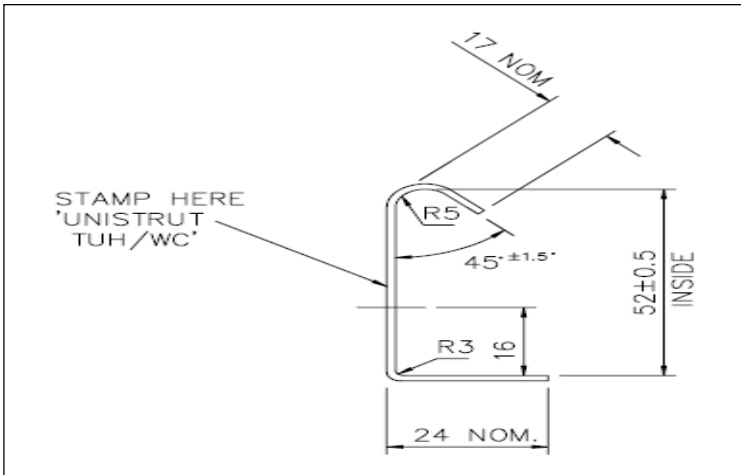
TUH/WC** - WRAPOVER STRAIGHT COUPLER



Fastening Detail (Per Coupler Pair)

- 1 - Cable Tray
- 2 - TUH/WC (1 pair)
- 3 - M6x20 roofing bolt (x8)
M6 square nut (x8)
M6x18 O/D flat washer (x8)

Recommended torque setting (M6) 3.15Nm



TUH/WCPG

Material: Pre-Galvanised Coil Strip EN 10326-1.0244 +Z275-N-A-C
Finish: Self Colour.

TUH/WCHG

Material: Mild Steel to B.S. EN 10149-3 Grade S280
Finish: Hot Dip Galvanised to B.S.EN ISO 1461

TUH/WCSS

Material: Stainless Steel 10088-2 1.4404+1D
Finish: Self Colour.

Fixings :- M6 Grade 4.6 or M6 grade 316 Stainless Steel.

UNISTRUT HEALTH & SAFETY DATA SHEET REF'S :

- No. 001 - PLAIN STEEL, PRE-GALVANIZED, GALVANIZED AND STAINLESS STEEL COMPONENTS
- No. 099 - HOT DIP GALVANIZING (CHANNEL & COMPONENTS)
- No. 102 - STEEL



BS EN ISO 9001
Cert. FM825