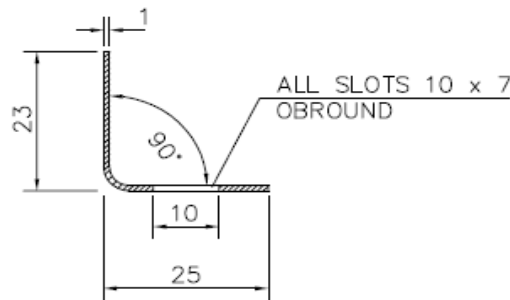
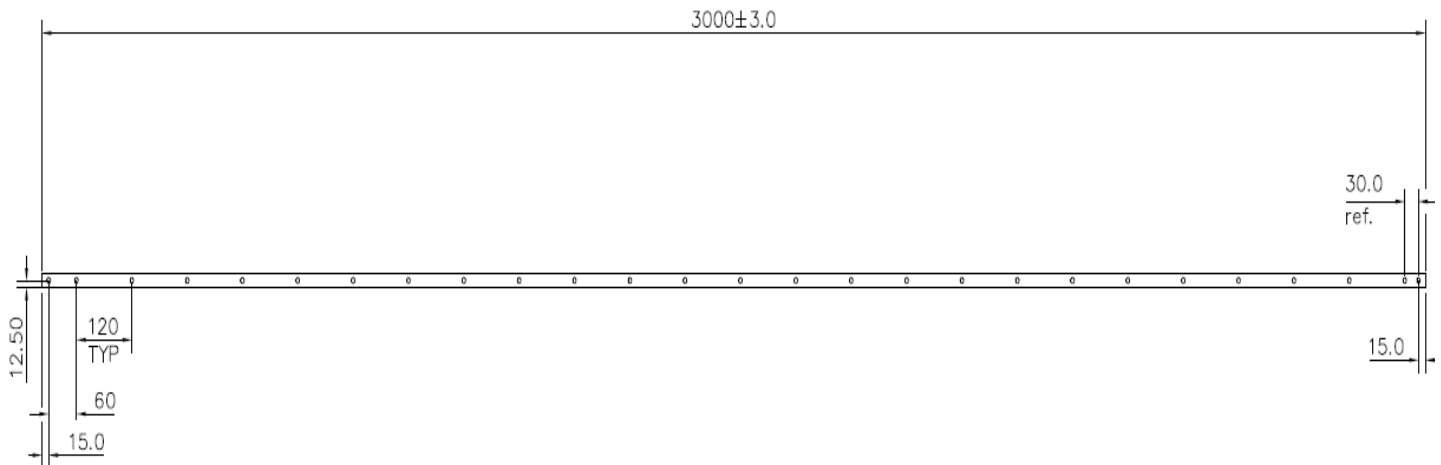


Product Data Sheet

TUMSD Medium Duty Cable Tray Divider



TYPICAL SECTION
1:1

Material:

- TUMSD/PG Pre-Galvanised Steel to BS EN 10346 DX51D Z275-N-A-C
- TUMSD/HG Mild Steel to BS EN 10111 - DD11 or BS EN 10139 - DC01
- TUMSD/DH BS EN 10025 S275JO+AR+CL1 or equivalent/better - 2mm thick min. material.
- TUMSD/SS Stainless Steel - Hot Rolled to B.S.EN10088-2-1.4404+1D (316L)

Finishes:

- TUMSD/PG Pre Galvanised to BS EN 10346 Z275 standard 20µm thickness typical.
- TUMSD/HG Hot Dip Galvanized - to BS EN ISO 1461: to a mean coating thickness (minimum) of 55 µm.
- TUMSD/DH Hot Dip Galvanized - to BS EN ISO 1461: to a mean coating thickness (minimum) of 85 µm. 110 µm available upon request
- TUMSD/SS Self Colour no finish.