

Britclips® RSWB 16" - 24"

(J 50 175)

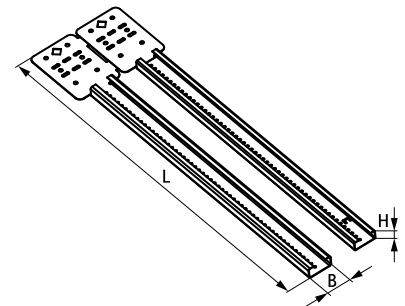
Rapid Sliding Wall Bracket



Features and benefits

- extendable bracket for mounting electrical boxes and conduit in stud walls
- material: steel
- expands from 16 to 24 inches
- quick and easy installation
- suitable for mounting multiple boxes and conduit between stud wall divides
- for use with BIS RapidRail® Slide Nuts, BIS starQuick® Clamps, BIS starQuick® Universal Rail Adaptor and Hammerfix accessories
- pre-galvanized

Part No.	L	B (mm)	H (mm)	Pack 1
5949 1 624	440 mm	26	13.8	50



Complementary

- BIS starQuick® Clamp (Grey)
- BIS RapidRail® Slide Nut
- BIS RapidRail® Hammerfix

Complementary

- BIS starQuick® Universal Rail Adaptor